

## AT2216 Reference Design Overview

The AT2216 Reference Design shows the use of CobraNet LE technology for low cost CobraNet endpoint applications. The AT2216 is a highly integrated, cost-effective approach for CobraNet designs with 2 channels in and out. In addition to CobraNet audio networking, the AT2216 implements a serial host management interface (SHMI), serial bridging, 8 GPIO pins, and 8 10 bit ADC channels.

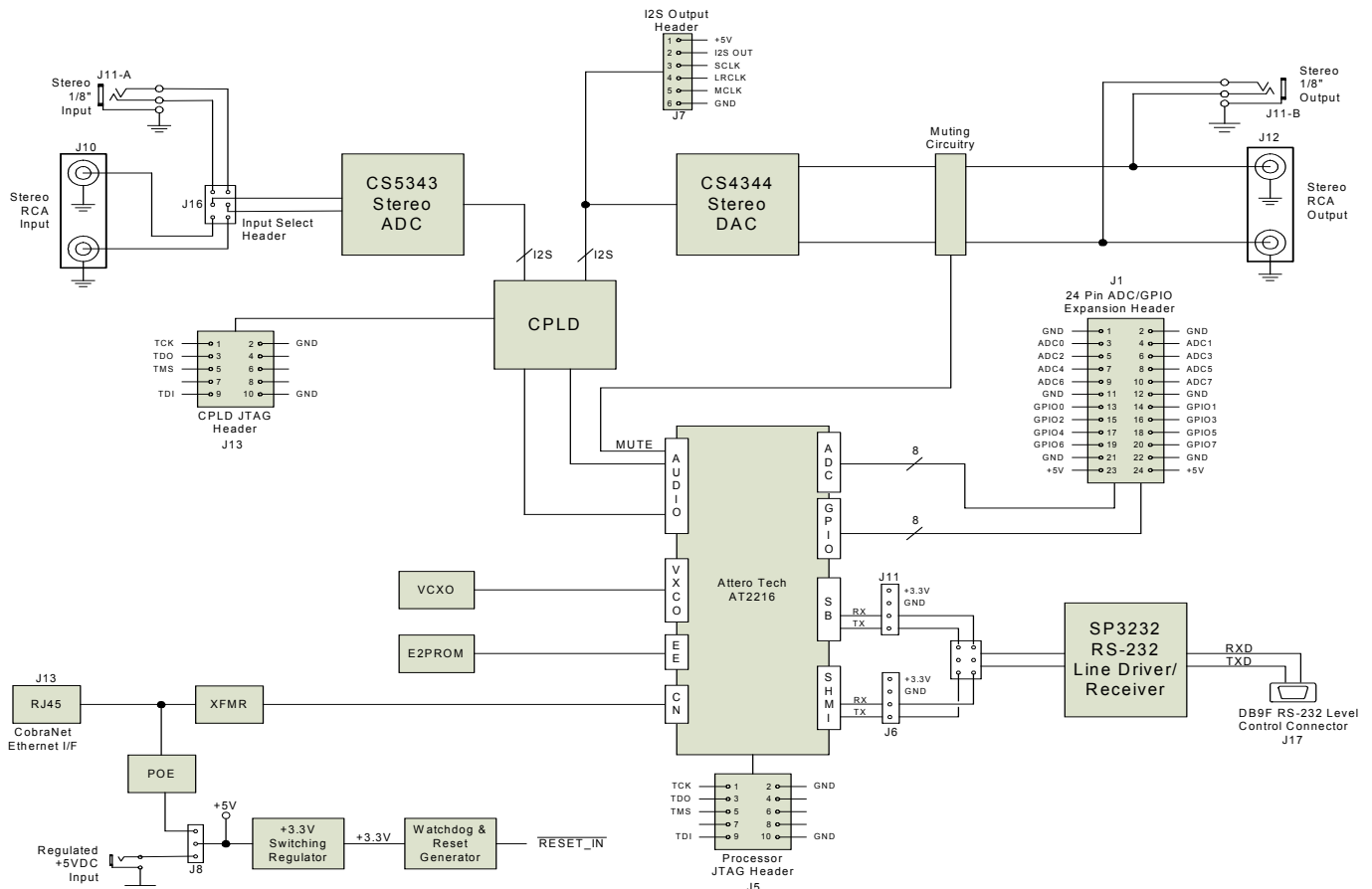
### Applications

- Allows complete evaluation of all AT2216 functionality
- The AT2216 Reference Design is a fully functional CobraNet node

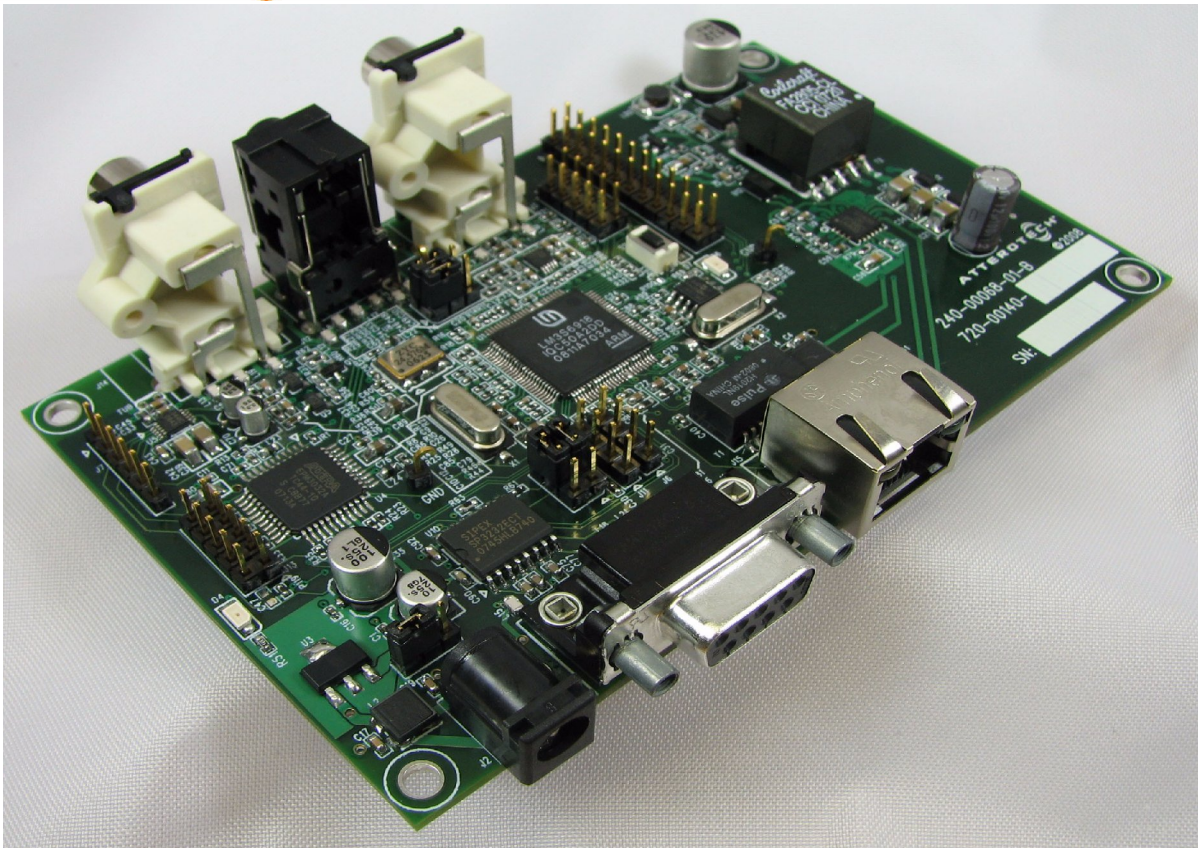
## Features

- Unbalanced stereo analog inputs and outputs, on both RCA and 1/8" stereo mini jacks
- I2S digital audio outputs available on a header
- CobraNet Serial Bridge and SHMI functionality is fully supported, with logic levels available for both interfaces and RS-232 level signals available for one (jumperable)
- 8 GPIOs which can be individually set as inputs or outputs, and written/read via the SHMI or via SNMP
- 8 10 bit ADCs which can be read via the SHMI, SNMP, or set to provide periodic updates via UDP packets
- Complete reference design material included for the platform board: schematics, PCB layout, and BOM

## AT2216 Reference Design Block Diagram



CobraNet® is a registered trademark of Cirrus Logic, Inc.



**AT2216 Reference Design**

---

### **Specifications in Brief**

- Stereo analog inputs, stereo analog outputs, stereo digital audio outputs
- 8 10-bit A/D converter inputs available on a standard header
- 8 GPIO pins available on a standard header
- RS-232 level converter and DB9F connector for Serial Bridge or SHMI
- Complete IEEE 802.3af compliant PoE power supply on board
- +5V external power supply option on board

**For more information, contact:  
Mike Sims, Director of Marketing and Sales  
1315 Directors Row, Suite 107  
Fort Wayne, IN 46808**

**Phone: (260) 496-9668 x317 Email: [mike.sims@atterotech.com](mailto:mike.sims@atterotech.com)  
Website: [www.atterotech.com](http://www.atterotech.com)**