

CDK-8 Platform Board Overview

The CDK-8 Platform Reference Design is an ideal way to evaluate the operation and performance of Attero Tech's series of CDK-8 CobraNet® interface modules. The CDK-8 Platform Board accommodates the CDK-8D, CDK-8DHMI, and CDK-8DUART modules. Full reference design material is included to ease hardware integration of the CDK-8 modules.

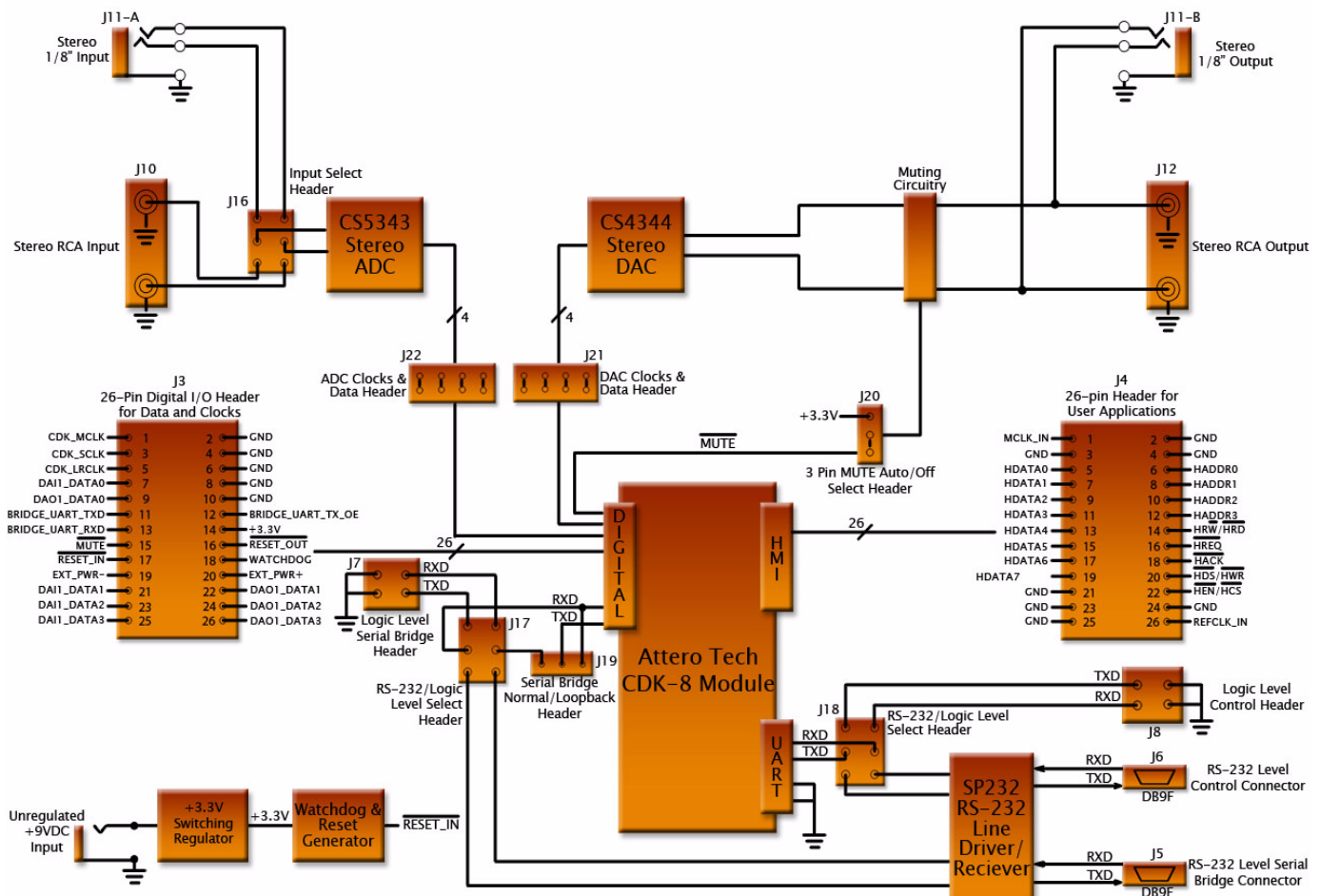
Applications

- Allows complete evaluation of all CDK-8 modules, using both analog and digital audio
- When populated with one of the CDK-8 modules, the CDK-8 Platform Board is a fully functional CobraNet node

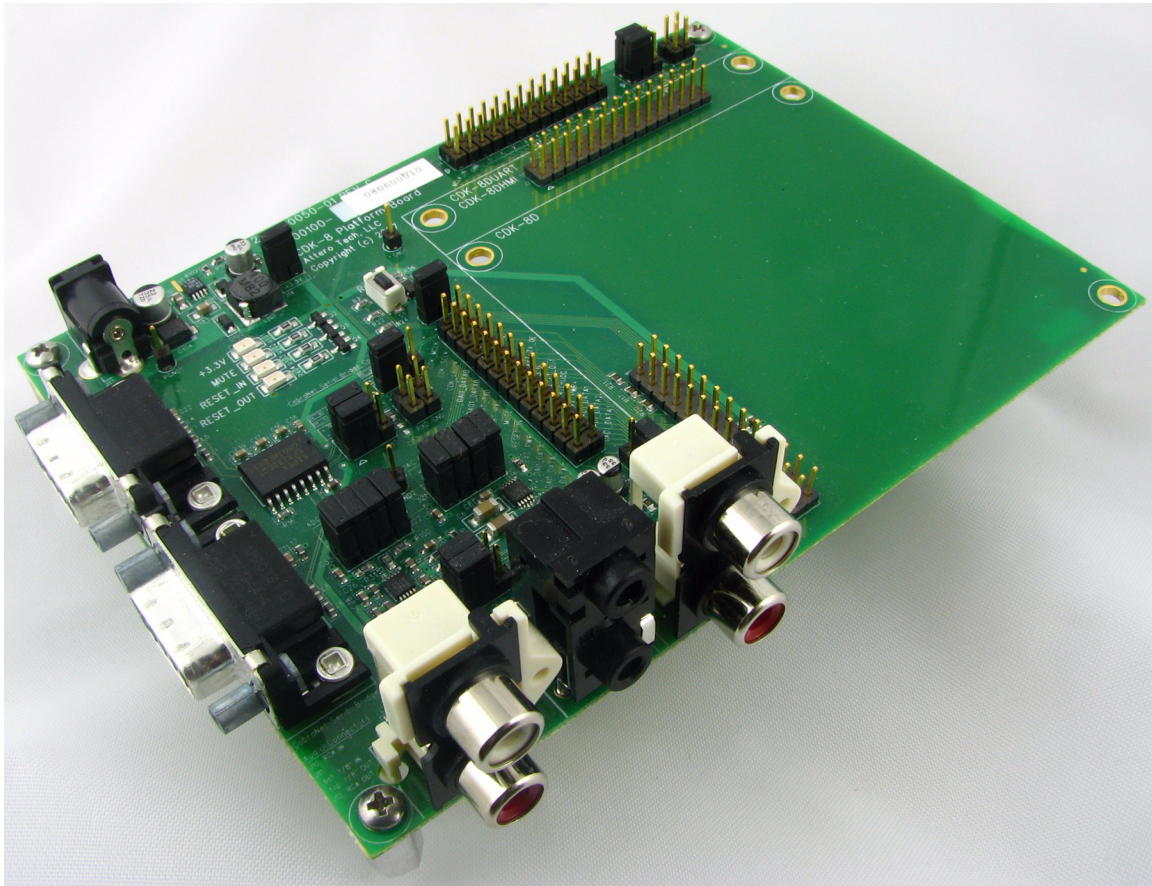
Features

- Support for CDK-8D, CDK-8DHMI, and CDK-8DUART CobraNet interface modules
- Unbalanced stereo analog inputs and outputs, on both RCA and 1/8" stereo mini jacks
- All CDK-8 module header pins are fully replicated on the platform board
- CobraNet Serial Bridge functionality is fully supported, with both logic level and RS-232 level signals available
- Full support for the CDK-8DUART serial control port, with both logic level and RS-232 level signals available
- Complete reference design material included for the platform board: schematics, PCB layout, and BOM

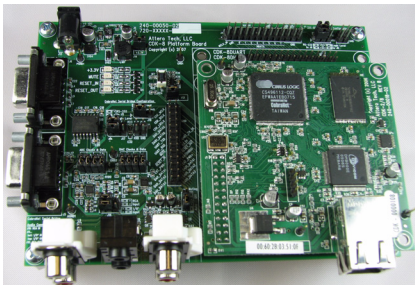
CDK-8 Platform Reference Design Block Diagram



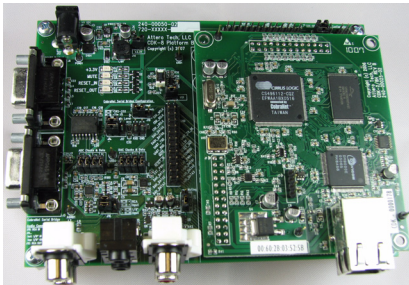
CobraNet® is a registered trademark of Cirrus Logic, Inc.



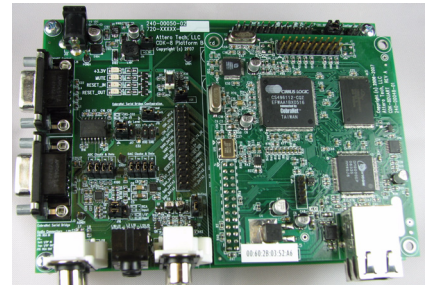
CDK-8 Platform Board



CDK-8D on Platform



CDK-8DHMI on Platform



CDK-8DUART on Platform

For more information, contact:
Mike Sims, Director of Marketing and Sales
1315 Directors Row, Suite 107
Fort Wayne, IN 46808

Phone: (260) 496-9668 x317 Email: mike.sims@atterotech.com

Website: www.atterotech.com